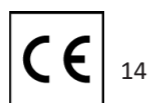


ESSENTIAL CHARACTERISTICS

Duration of operation	Pass
Provision for external conductors	Pass
Flammability of materials	Pass
Enclosure protection	Pass
Access	Pass
Manufacturer's adjustments	Pass
On-site adjustment of behaviour	Pass
Requirements for software controlled devices	Pass
Coverage volume	Pass
Variation of light output	Pass
Minimum and maximum light intensity	Pass
Light colour	White
Light temporal pattern / frequency of flashing	Pass / 1,5 Hz
Marking and data	Pass
Synchronization	Pass
Temperature resistance	Pass
Humidity resistance	Pass
Shock and vibration resistance	Pass
Corrosion resistance	Pass
Electrical stability	Pass



1328-CPR-0423

Multifunctionele sirene met hoge geluidskwaliteit (Type B) conform EN 54-3 + A1:2002 + A2:2006
Avertisseur acoustique pour Alarme Incendie (Type B), conformément à EN 54-3:2001 + A1:2002 + A2:2006
Feueralarm akustische Gerät (Type B), EN 54-3:2001 + A1:2002 + A2:2006 entsprechenden
Fire Alarm acoustic device (Type B), conform to EN 54-3:2001 + A1:2002 + A2:2006

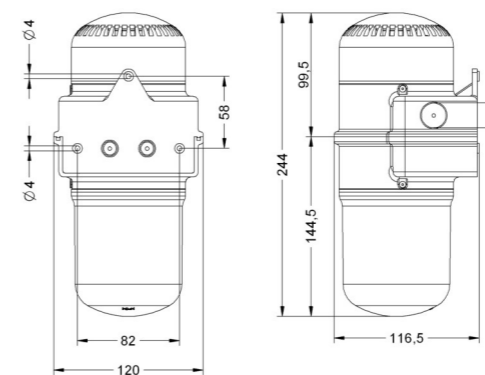
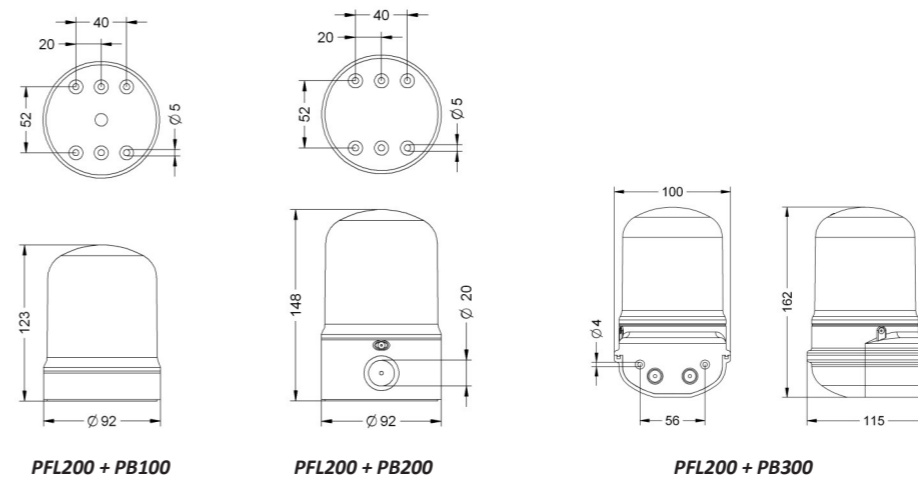
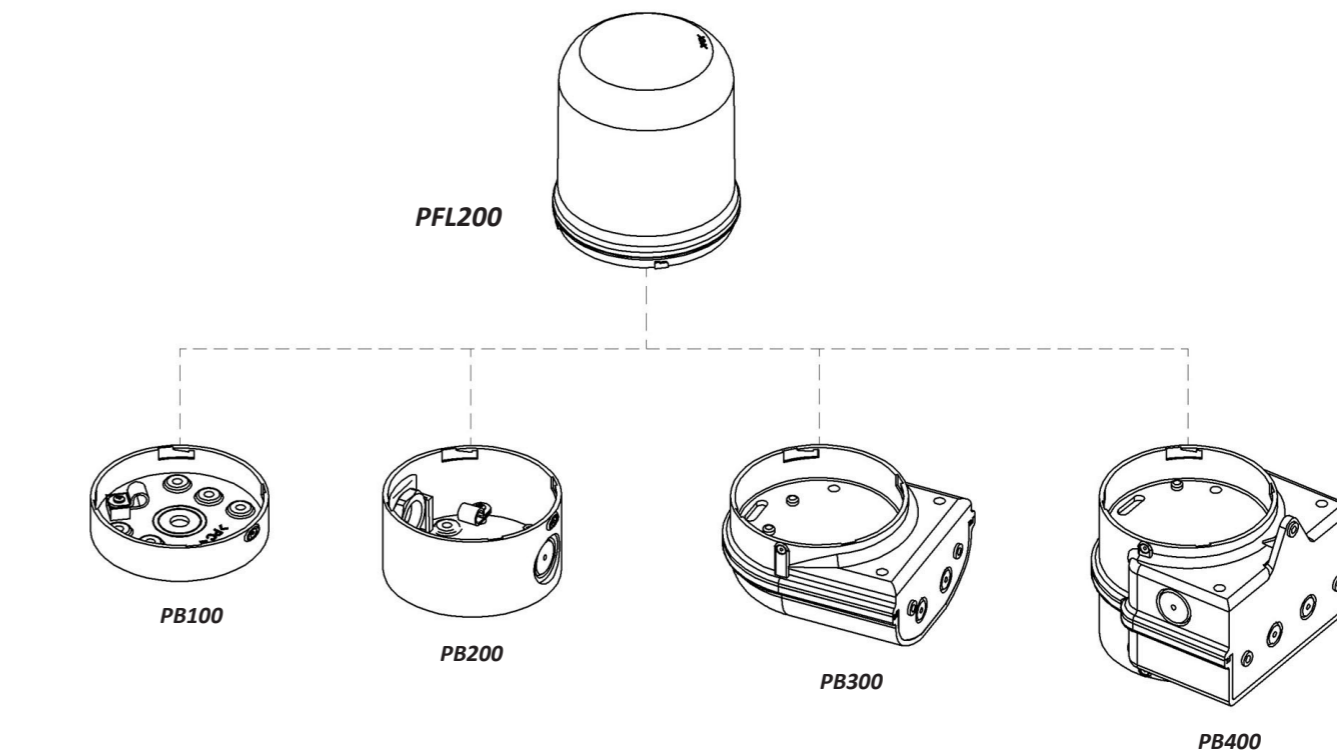
NIET BIJ HET RESTAFVAL GOOIEN - NE PAS ELIMINER COMME DECHET URBAIN



P I P S PFL200



INSTALLATIE- EN GEBRUIKSHANDLEIDING - INSTRUCTIONS D' INSTALLATION ET D' UTILISATION

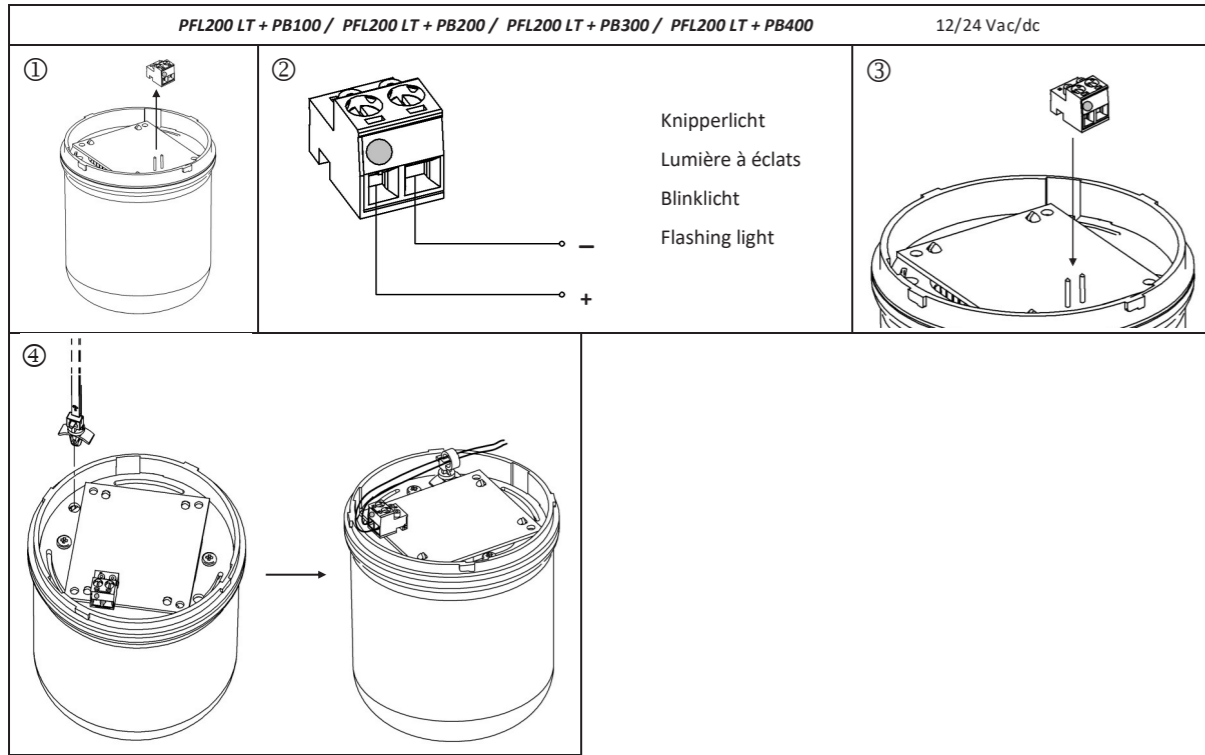


PFL200 + PB400 (with PFS200)

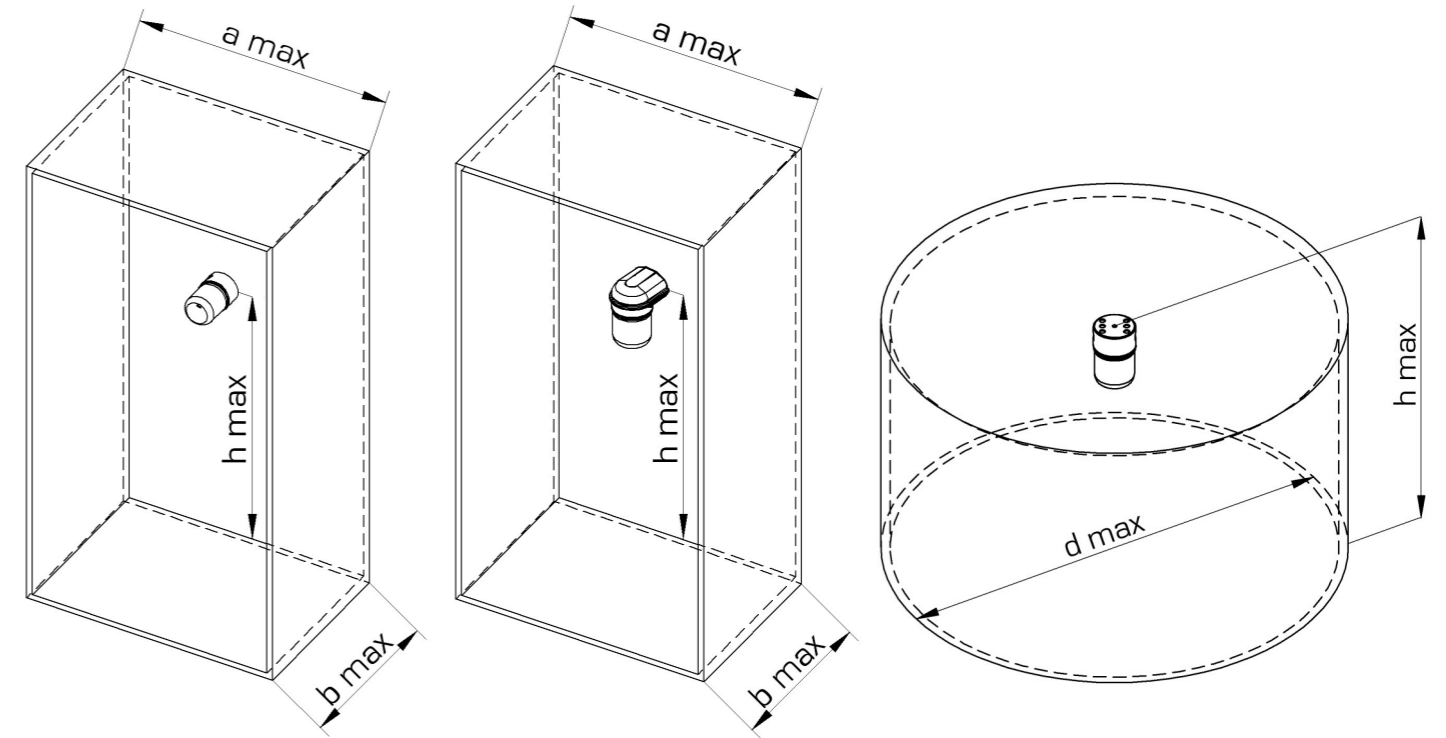
Vac/dc	12/24
mA	300
° C	"-30 +70"



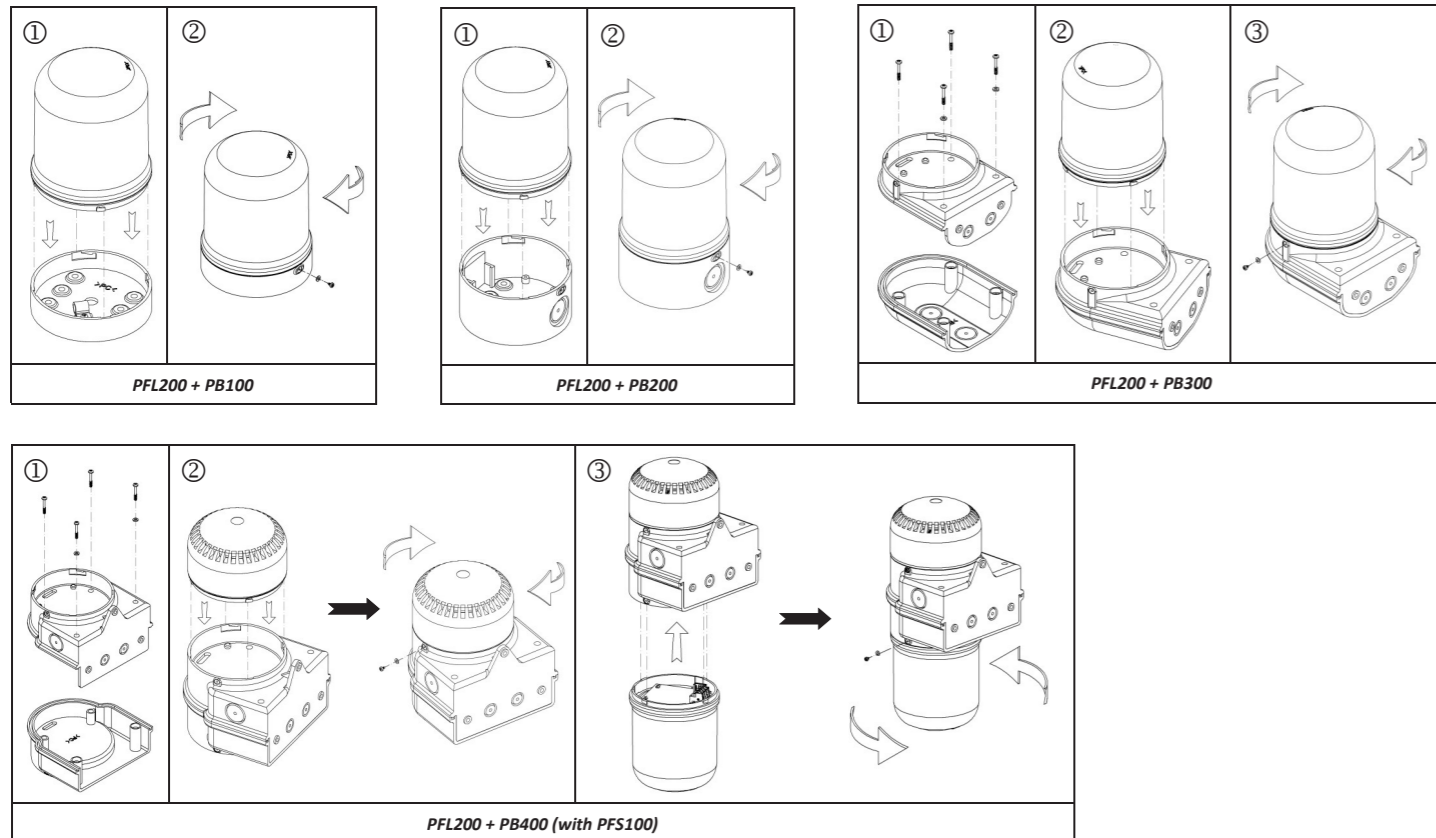
BEDRADING/CÂBLAGE/VERKABELUNG/WIRING BASES LT (12/24 Vac/dc)



Prestatie parameters - Paramètres de performance



SLUITING MODULE/SERRAGE DU DÔME/ANZIEHEN DER HAUBE/DOME TIGHTENING



Montage categorie Categorie d'installation Befestigung Kategorie Mounting Category	h_{max} (m)	a_{max} (m)	b_{max} (m)	d_{max} (m)
W Wall Mount LT PB100 / PB200	2,4	3,7	3,7	—
W Wall Mount PB300 / PB400	2,7	3,2	3,2	—
C Ceiling Mount LT PB100 / PB200	3	—	—	5,8
O Freely selectable mounting position	LT PB100 / PB200	2,4	5,5	3,7
	LT PB100 / PB200	2	5,5	4,6
O Freely selectable mounting position PB300 / PB400	2,7	5,1	3,2	—

h_{max}: max. mounting height

a_{max}: max. room width

b_{max}: max. room depth

d_{max}: max. diameter